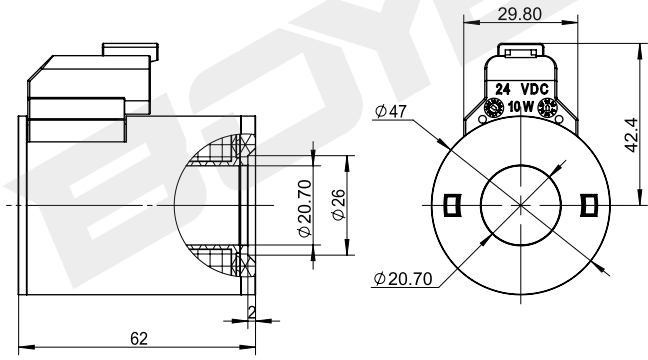
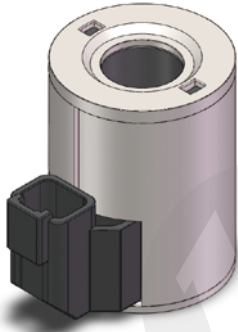


插装阀用线圈

Coil for cartridge valve

BYC01-21-01D

比例型
proportional type



DC 12V
DC 24V

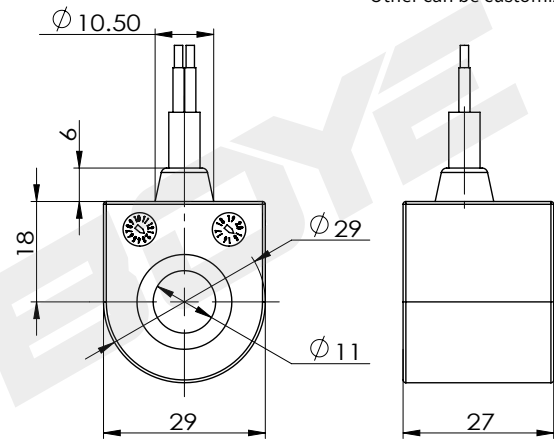
其它规格可定做
Other can be customized

| 技术参数 /technical parameter | | | | | |
|----------------------------------|----|----------|---------------------------|---|---------|
| 环境温度 Ambienttemperature | °C | -25 ~ 50 | 防护等级 Degree of protection | | IP67 |
| 电压波动范围 Voltage fluctuation range | % | 85 ~ 110 | 通电持续率 Power on duration | % | 100 |
| 额定功率 Rated power | W | 10 | 绝缘等级 Insulation class | | H (180) |

BYC02-11-01H

DC 24V
AC 220V

其它规格可定做
Other can be customized



| 技术参数 /technical parameter | | | | | |
|----------------------------------|----|----------|---------------------------|---|---------|
| 环境温度 Ambienttemperature | °C | -25 ~ 50 | 防护等级 Degree of protection | | IP67 |
| 电压波动范围 Voltage fluctuation range | % | 85 ~ 110 | 通电持续率 Power on duration | % | 100 |
| 额定功率 Rated power | W | 20 | 绝缘等级 Insulation class | | H (180) |