

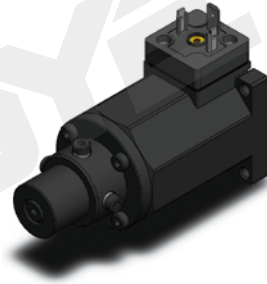
BYG01-40-01G

Electromagnet for proportional valve

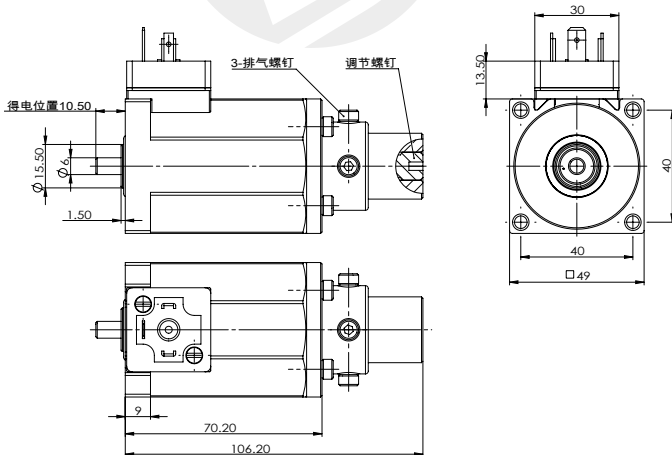
0.8A 10.5Ω

Other can be customized

- For proportional pressure valves
- 4-screw connection
- Equipped with manual adjustment and exhaust device
- Black phosphating treatment on shell surface

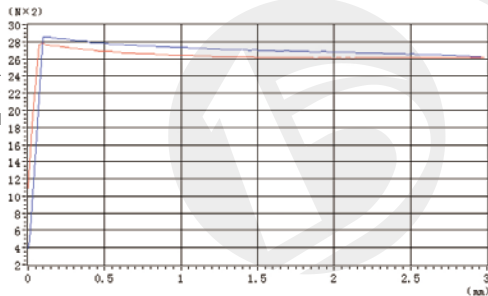


Outline and connection dimensions



technical parameter		
Ambient temperature	°C	-25~50
Rated current	A	0.8
Maximum current	A	1
Rated resistance	Ω	10.5
Rated stroke	mm	3
Full stroke	mm	3.2
Rated thrust	N	48
Force hysteresis	%	≤ 3
Current hysteresis	%	≤ 3
Repetition accuracy	%	≤ 1
Working oil pressure	MPa	≤ 21
Degree of protection		IP65
Power on duration	%	100
Insulation class		H(180)
Electrical connection mode		DIN43650

F-S characteristic curve



matters needing attention

1. After the first use or long-term shutdown, please exhaust the air in the system first!
2. It can be installed in any direction, and it is recommended to install horizontally.