

# BYG01-80-01G

Electromagnet for proportional valve

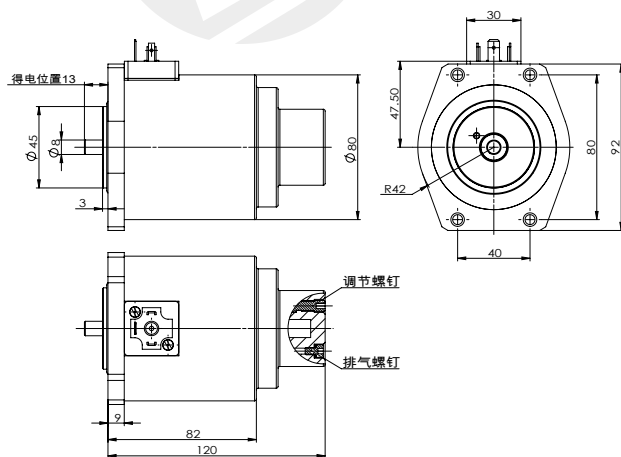
## 0.6A 40Ω

Other can be customized

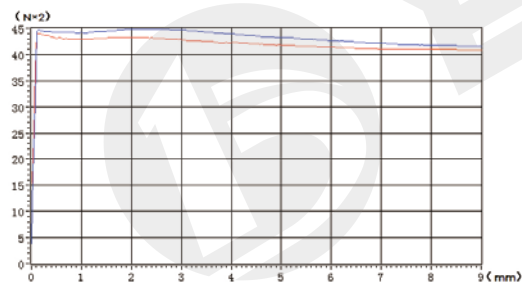
- For proportional pressure valves
- 4-screw connection
- Equipped with manual adjustment and exhaust device
- Black phosphating treatment on shell surface



### Outline and connection dimensions



### F-S characteristic curve



technical parameter		
Ambient temperature	°C	-25~50
Rated current	A	0.6
Maximum current	A	0.68
Rated resistance	Ω	40
Rated stroke	mm	9
Full stroke	mm	10
Rated thrust	N	90
Force hysteresis	%	≤ 4
Current hysteresis	%	≤ 4
Repetition accuracy	%	≤ 1
Working oil pressure	MPa	≤ 21
Degree of protection		IP65
Power on duration	%	100
Insulation class		H(180)
Electrical connection mode		DIN43650

### matters needing attention

1. After the first use or long-term shutdown, please exhaust the air in the system first!
2. It can be installed in any direction, and it is recommended to install horizontally.

The sample data comes from the laboratory environment and is only for reference. If your company needs the latest data or has special needs, please contact Boye hydraulic engineer.