

BYG03-32-01L

Electromagnet for proportional valve

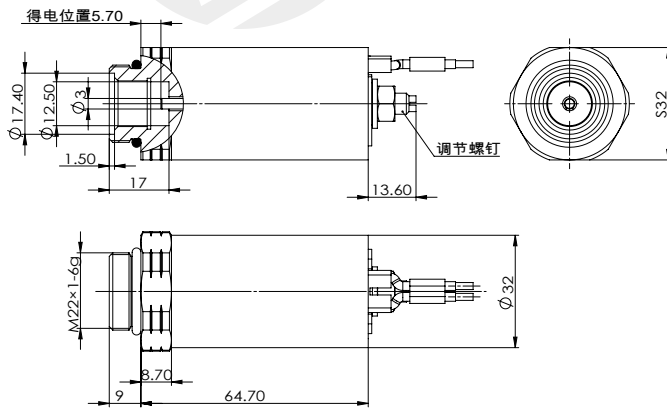
0.7A 17.5Ω

Other can be customized

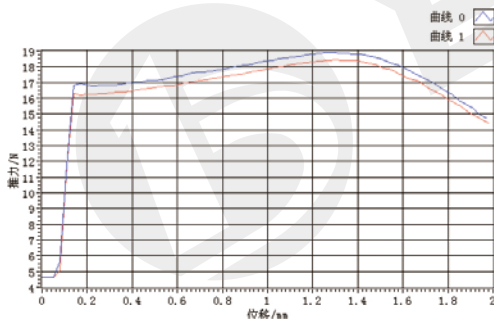
- For threaded cartridge proportional solenoid valves
- Threaded connections are equipped with manual adjustment devices



Outline and connection dimensions



F-S characteristic curve



technical parameter		
Ambient temperature	°C	-25~50
Rated current	A	0.7
Maximum current	A	0.8
Rated resistance	Ω	17.5
Rated stroke	mm	1.5
Full stroke	mm	2.5
Rated thrust	N	18
Force hysteresis	%	≤ 3
Current hysteresis	%	≤ 3
Repetition accuracy	%	≤ 1
Working oil pressure	MPa	≤ 8.8
Degree of protection		IP67
Power on duration	%	100
Insulation class		H(180)
Electrical connection mode		Wire-led

matters needing attention

1. After the first use or long-term shutdown, please exhaust the air in the system first!
2. It can be installed in any direction, and it is recommended to install horizontally.

The sample data comes from the laboratory environment and is only for reference. If your company needs the latest data or has special needs, please contact Boye hydraulic engineer.