

BYG04-21-01D

比例阀用电磁铁

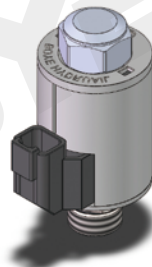
Electromagnet for proportional valve

- 适用于 PV70 系列电磁比例插装阀
- 螺纹连接，线圈可实现免停机更换
- 线圈内孔 $\phi 21.5$ ，全塑封工艺

- Applicable to PV70 series proportional cartridge solenoid valve
- Threaded connection, coil can be replaced without stopping
- Coil inner hole $\phi 21.5$, full plastic sealing process

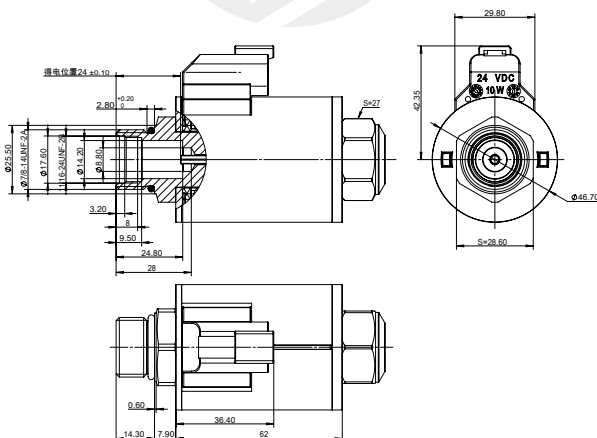
DC12V 1.5A DC24V 0.75A

其它规格可定做
Other can be customized



外形及连接尺寸

Outline and connection dimensions

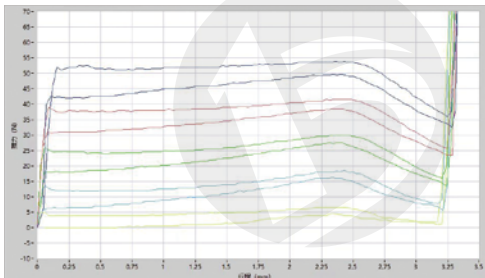


技术参数 / technical parameter

环境温度 Ambient temperature	°C	-25~50	
额定电压 Rated voltage	VDC	12	24
额定电流 Rated current	A	1.5	0.75
最大电流 Maximum current	A	1.6	0.8
额定电阻 Rated resistance	Ω	4.5	18
额定行程 Rated stroke	mm	2.5	
全行程 Full stroke	mm	3.2	
额定推力 Rated thrust	N	50	
力滞环 Force hysteresis	%	≤ 4	
电流滞环 Current hysteresis	%	≤ 4	
重复精度 Repetition accuracy	%	≤ 1	
工作油压 Working oil pressure	MPa	≤ 21	
防护等级 Degree of protection		IP67	
通电持续率 Power on duration	%	100	
绝缘等级 Insulation class		H (180)	
电气连接方式 Electrical connection mode		DT04-2P	

力 - 位移特性曲线

F-S characteristic curve



注意事项

matters needing attention

1. 首次使用或长期停机后启用，请先将系统内空气排净！

2. 可任意方向安装，建议水平安装。

1. After the first use or long-term shutdown, please exhaust the air in the system first!

2. It can be installed in any direction, and it is recommended to install horizontally.