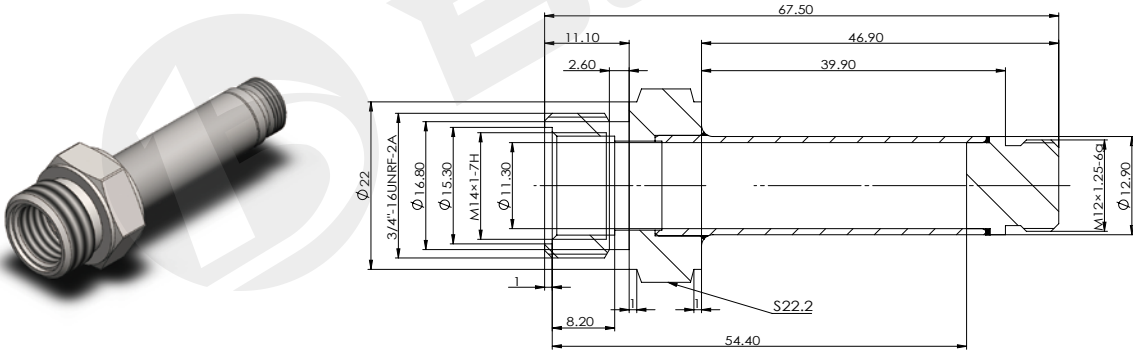


# BYT02

Magnetic guide tube for cartridge valve

- Push type, Three stage welding, External hexagon thread connection

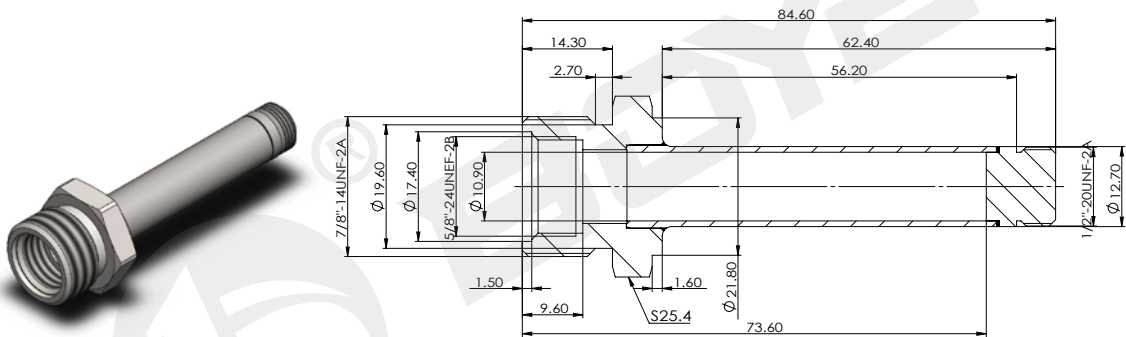
## BYT02-13-01



### technical parameter

|                      |     |      |              |    |      |
|----------------------|-----|------|--------------|----|------|
| Working oil pressure | MPa | ≤ 21 | Hexagon size | mm | 22.2 |
|----------------------|-----|------|--------------|----|------|

## BYT02-13A-01



### 技术参数 /technical parameter

|                      |     |      |              |    |      |
|----------------------|-----|------|--------------|----|------|
| Working oil pressure | MPa | ≤ 21 | Hexagon size | mm | 25.4 |
|----------------------|-----|------|--------------|----|------|