

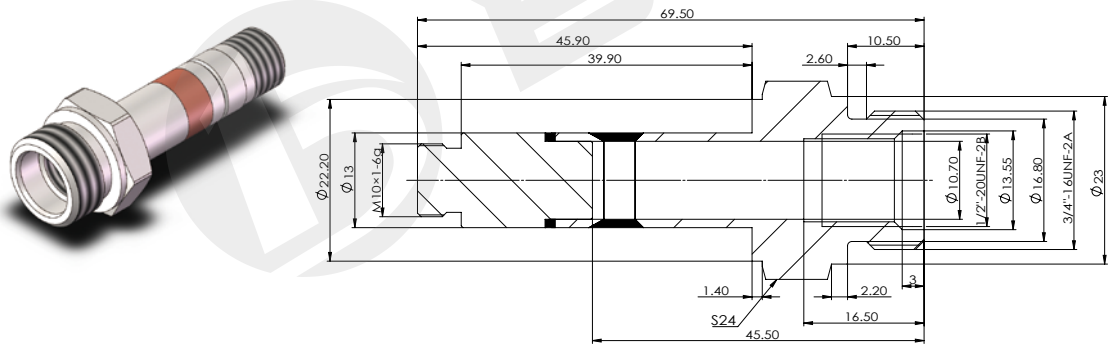
BYT11

插装阀用导磁套

Magnetic guide tube for cartridge valve

- 拉式，四段氩弧 - 铜堆焊接，外六角螺纹连接
- Pull type, four section argon arc copper pile welding, external hexagonal thread connection

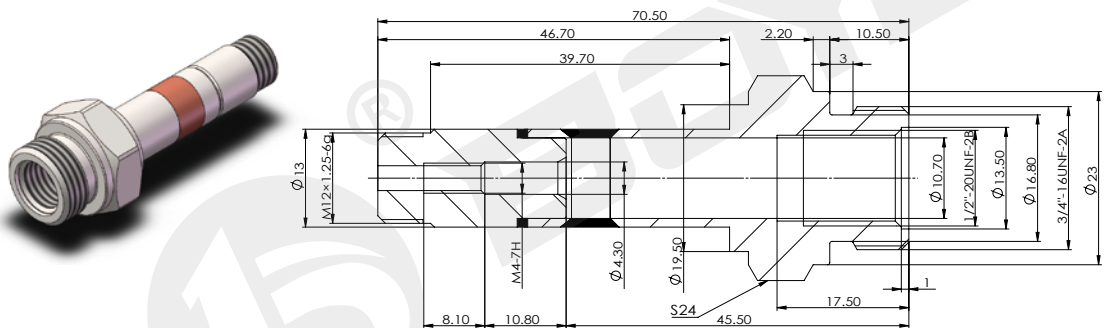
BYT11-13-01



技术参数 /technical parameter

工作油压 Working oil pressure	MPa	≤ 21	六角尺寸 Hexagon size	mm	24
---------------------------	-----	------	-------------------	----	----

BYT11-13-04M



技术参数 /technical parameter

工作油压 Working oil pressure	MPa	≤ 21	六角尺寸 Hexagon size	mm	24
---------------------------	-----	------	-------------------	----	----