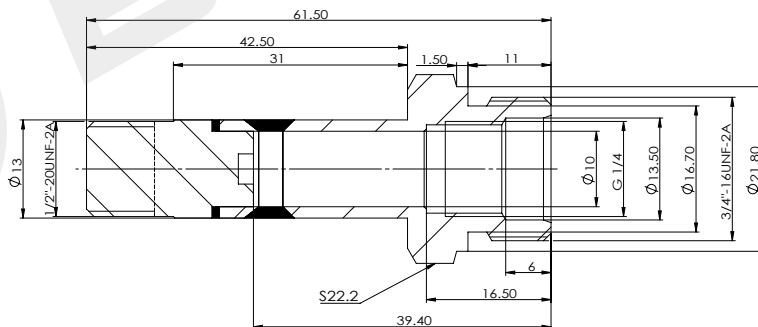
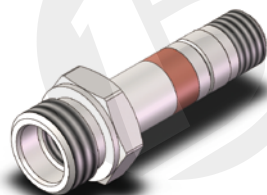


# BYT11

Magnetic guide tube for cartridge valve

- Pull type, four section argon arc copper pile welding, external hexagonal thread connection

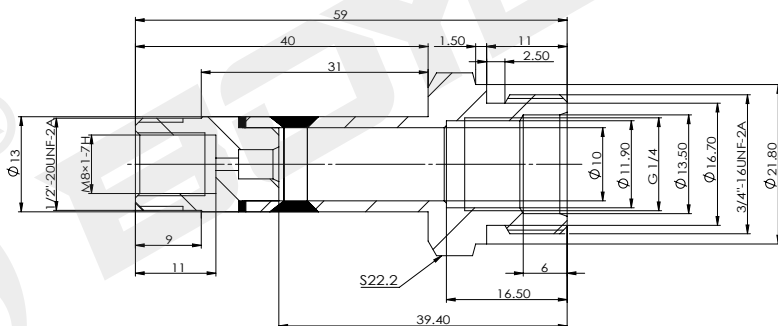
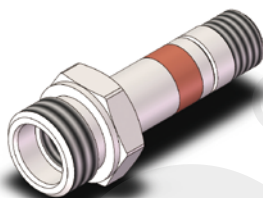
## BYT11-13A-01



### technical parameter

Working oil pressure	MPa	$\leq 21$	Hexagon size	mm	22.2
----------------------	-----	-----------	--------------	----	------

## BYT11-13A-03M



### technical parameter

Working oil pressure	MPa	$\leq 21$	Hexagon size	mm	22.2
----------------------	-----	-----------	--------------	----	------