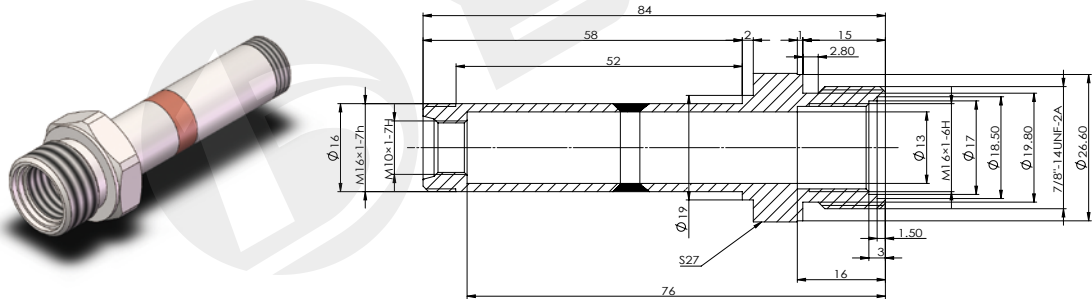


BYT12

Magnetic guide tube for cartridge valve

- Push type, three section copper pile welding, external hexagonal thread connection

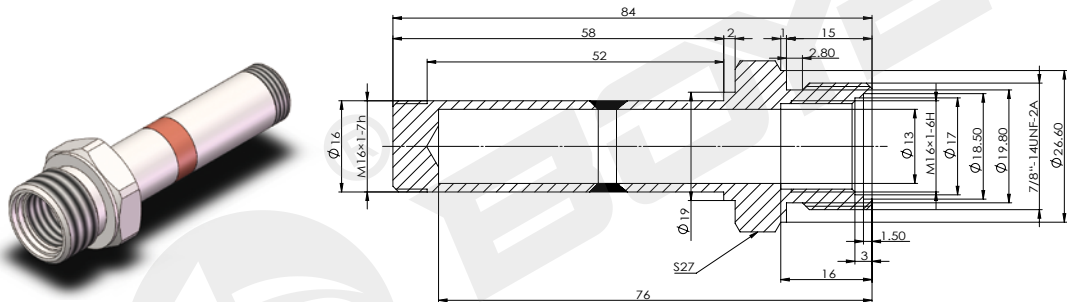
BYT12-16-01M



technical parameter

Working oil pressure	MPa	≤ 21	Hexagon size	mm	27
----------------------	-----	-----------	--------------	----	----

BYT12-16-02



technical parameter

Working oil pressure	MPa	≤ 21	Hexagon size	mm	27
----------------------	-----	-----------	--------------	----	----