

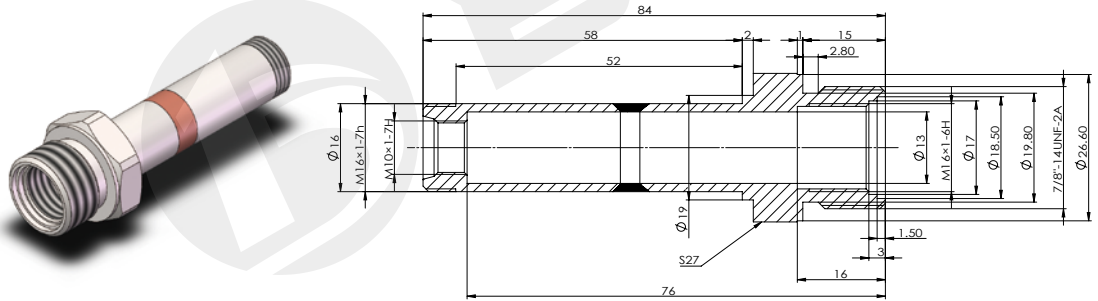
BYT12

插装阀用导磁套

Magnetic guide tube for cartridge valve

- 推式，三段铜堆焊接，外六角螺纹连接
- Push type, three section copper pile welding, external hexagonal thread connection

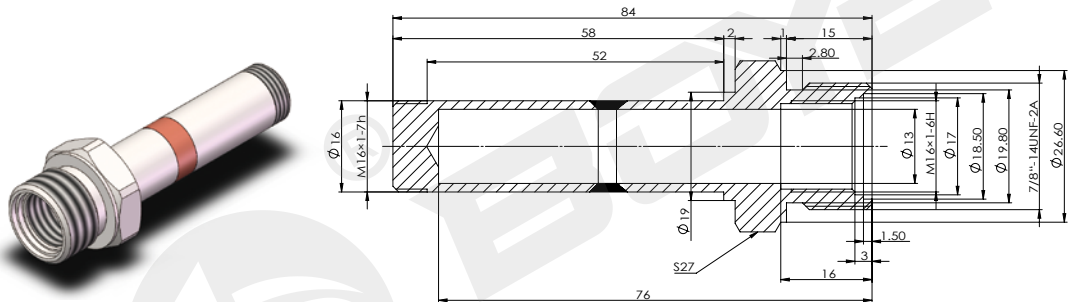
BYT12-16-01M



技术参数 /technical parameter

工作油压 Working oil pressure	MPa	≤ 21	六角尺寸 Hexagon size	mm	27
---------------------------	-----	------	-------------------	----	----

BYT12-16-02



技术参数 /technical parameter

工作油压 Working oil pressure	MPa	≤ 21	六角尺寸 Hexagon size	mm	27
---------------------------	-----	------	-------------------	----	----