

BYM01-18-01G

螺纹插装阀用电磁铁

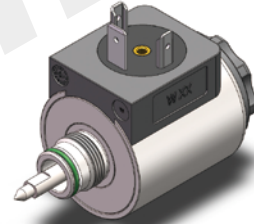
Solenoid for threaded cartridge valve

DC 24V
AC 220V

其它规格可定做
Other can be customized

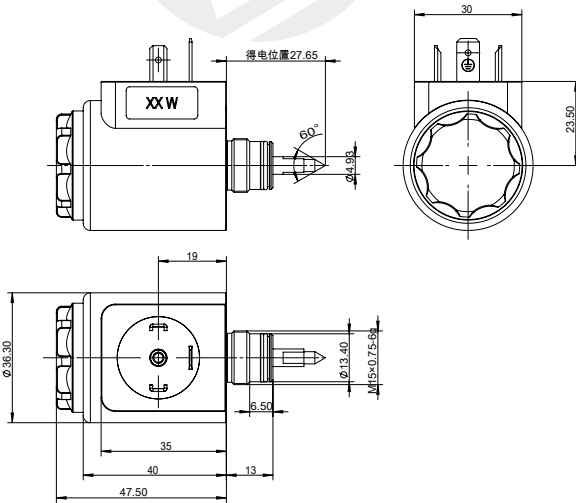
- 适用于 4 通径液压电磁减压阀
- 防尘防水设计
- 线圈内孔 $\phi 18$ ，全塑封工艺

- Applicable to 4-way solenoid hydraulic pressure reducing valve
- Dustproof and waterproof design
- Coil inner hole $\phi 18$. All-plastic sealing process



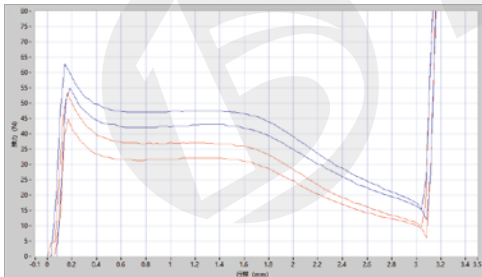
外形及连接尺寸

Outline and connection dimensions



力 - 位移特性曲线

F-S characteristic curve



注意事项

matters needing attention

1. 线圈不得单独通电使用，有烧损风险!
2. 非防爆线圈，不得使用在有爆炸危险的介质中!
3. 线圈安装后，必须接地可靠，否则有触电危险!

1. The coil shall not be powered on alone, which has the risk of burning!
2. Non explosion-proof coil shall not be used in medium with explosion risk!
3. After the coil is installed, it must be grounded reliably, otherwise there is a risk of electric shock!

样本数据来源于试验室环境，仅供参考，贵公司如需最新数据或有特殊需求，欢迎联系博业液压工程师。
The sample data comes from the laboratory environment and is only for reference. If your company needs the latest data or has special needs, please contact Boye hydraulic engineer.