

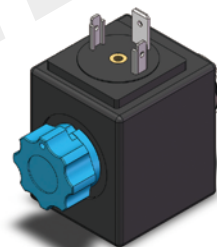
# BYM08-13-01G

Solenoid for threaded cartridge valve

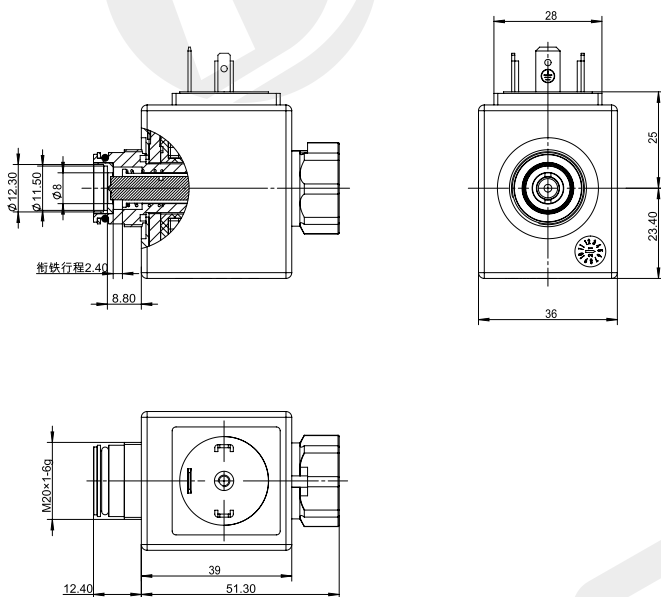
**DC 24V**  
**AC 220V**

Other can be customized

- Applicable to EP-08 solenoid pressure reducing valve
- Equipped with manual adjustment device
- Coil inner hole  $\phi 13$ . All-plastic sealing process



## Outline and connection dimensions



## technical parameter

Ambient temperature	°C	-25~50
Voltage fluctuation range	%	85 ~ 110
Rated power	W	26
Rated stroke	mm	1.5
Full stroke	mm	$\geq 3$
Working oil pressure	Mpa	$\leq 21$
Degree of protection		IP65
Operating frequency	T/h	12000
Power on duration	%	100
Insulation class		H(180)
Electrical connection mode		DIN43650

## matters needing attention

1. The coil shall not be powered on alone, which has the risk of burning!
2. Non explosion-proof coil shall not be used in medium with explosion risk!
3. After the coil is installed, it must be grounded reliably, otherwise there is a risk of electric shock !