

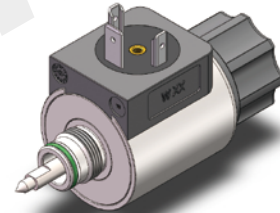
BYM01-18-01MG

Solenoid for threaded cartridge valve

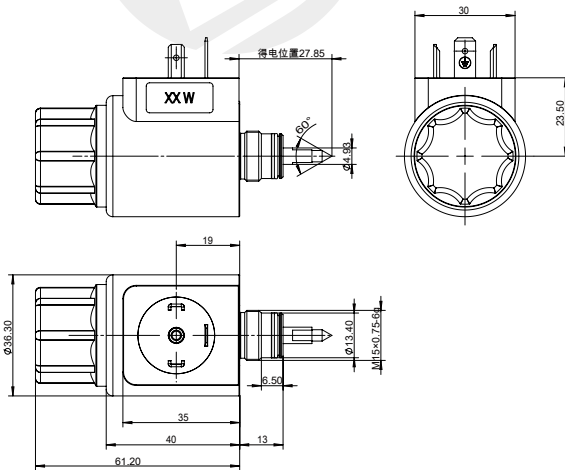
DC 24V
AC 220V

Other can be customized

- Applicable to 4-way solenoid hydraulic pressure reducing valve
- Equipped with manual adjustment device
- Coil inner hole $\phi 18$. All-plastic sealing process

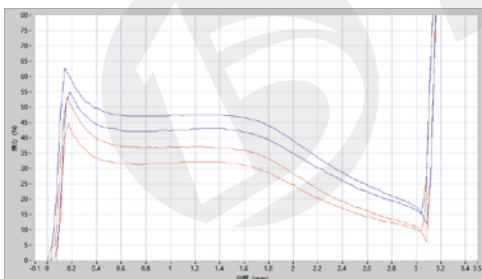


Outline and connection dimensions



technical parameter		
Ambient temperature	°C	-25~50
Voltage fluctuation range	%	85 ~ 110
Rated power	W	16
Rated stroke	mm	1.5
Full stroke	mm	≥ 3
Working oil pressure	Mpa	≤ 21
Degree of protection		IP65
Operating frequency	T/h	12000
Power on duration	%	100
Insulation class		H(180)
Electrical connection mode		DIN43650

F-S characteristic curve



matters needing attention

1. The coil shall not be powered on alone, which has the risk of burning!
2. Non explosion-proof coil shall not be used in medium with explosion risk!
3. After the coil is installed, it must be grounded reliably, otherwise there is a risk of electric shock !

The sample data comes from the laboratory environment and is only for reference. If your company needs the latest data or has special needs, please contact Boye hydraulic engineer.