

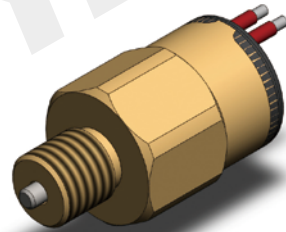
BYS02-25-01L

battery valve lock

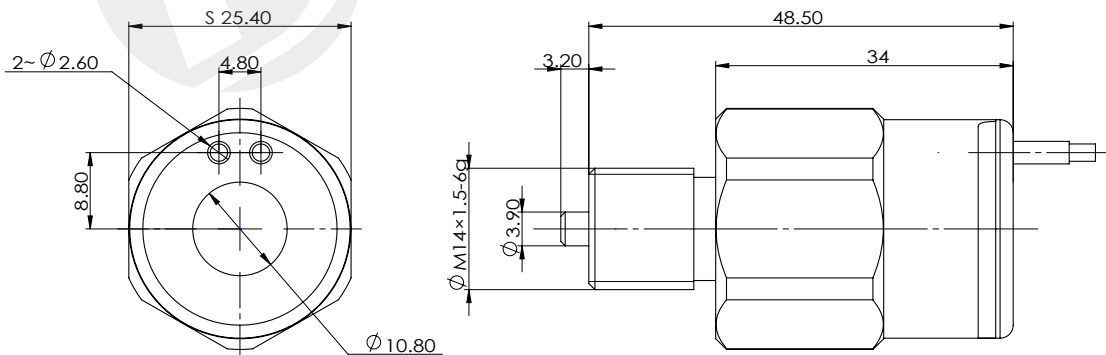
DC 12V
DC 24V

Other can be customized

- Suitable for solenoid valve position locking
- Comes with return spring
- Coil full plastic sealing process



Outline and connection dimensions



matters needing attention

1. The coil shall not be powered on alone, which has the risk of burning!
2. Non explosion-proof coil shall not be used in medium with explosion risk!
3. After the coil is installed, it must be grounded reliably, otherwise there is a risk of electric shock !

technical parameter		
Ambient temperature	°C	-25~50
Voltage fluctuation range	%	85 ~ 110
Rated power	W	4
Rated stroke	mm	3.2
Degree of protection		IP67
Operating frequency	T/h	12000
Power on duration	%	100
Insulation class		H(180)
Electrical connection mode		Two-wire